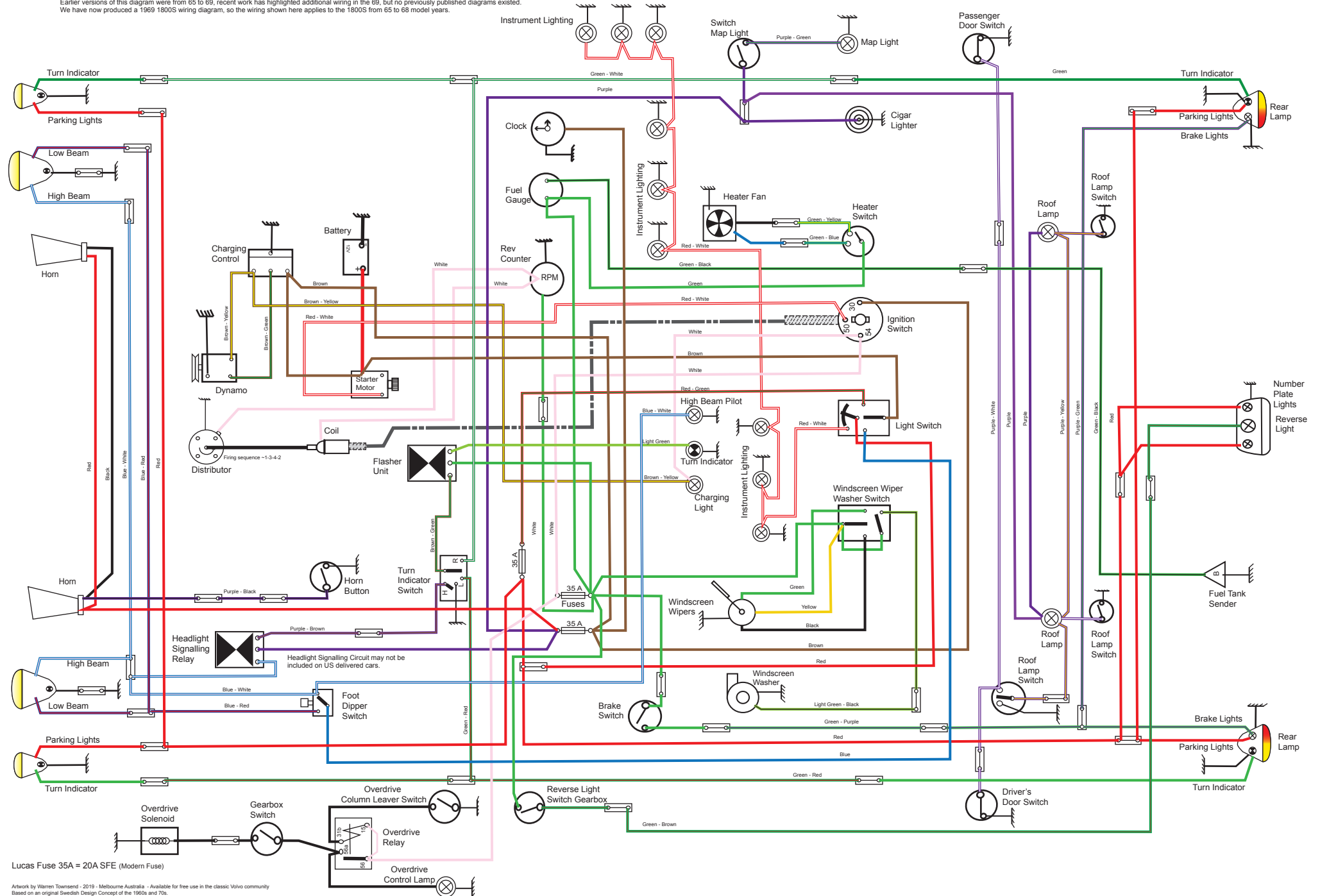


Volvo 1800S 1965 - 1968 Wiring Diagram - (Chassis # 12500 to 28300)

Earlier versions of this diagram were from 65 to 69, recent work has highlighted additional wiring in the 69, but no previously published diagrams existed. We have now produced a 1969 1800S wiring diagram, so the wiring shown here applies to the 1800S from 65 to 68 model years.



Lucas Fuse 35A = 20A SFE (Modern Fuse)

Artwork by Warren Townsend - 2019 - Melbourne Australia - Available for free use in the classic Volvo community. Based on an original Swedish Design Concept of the 1960s and 70s.

I have attempted to make these Wiring Diagrams as accurate as possible, however no responsibility is accepted for any consequential errors from their use.

*** In some instances Volvo made mid run production changes, please also reference previous, or subsequent year's schematic. ***