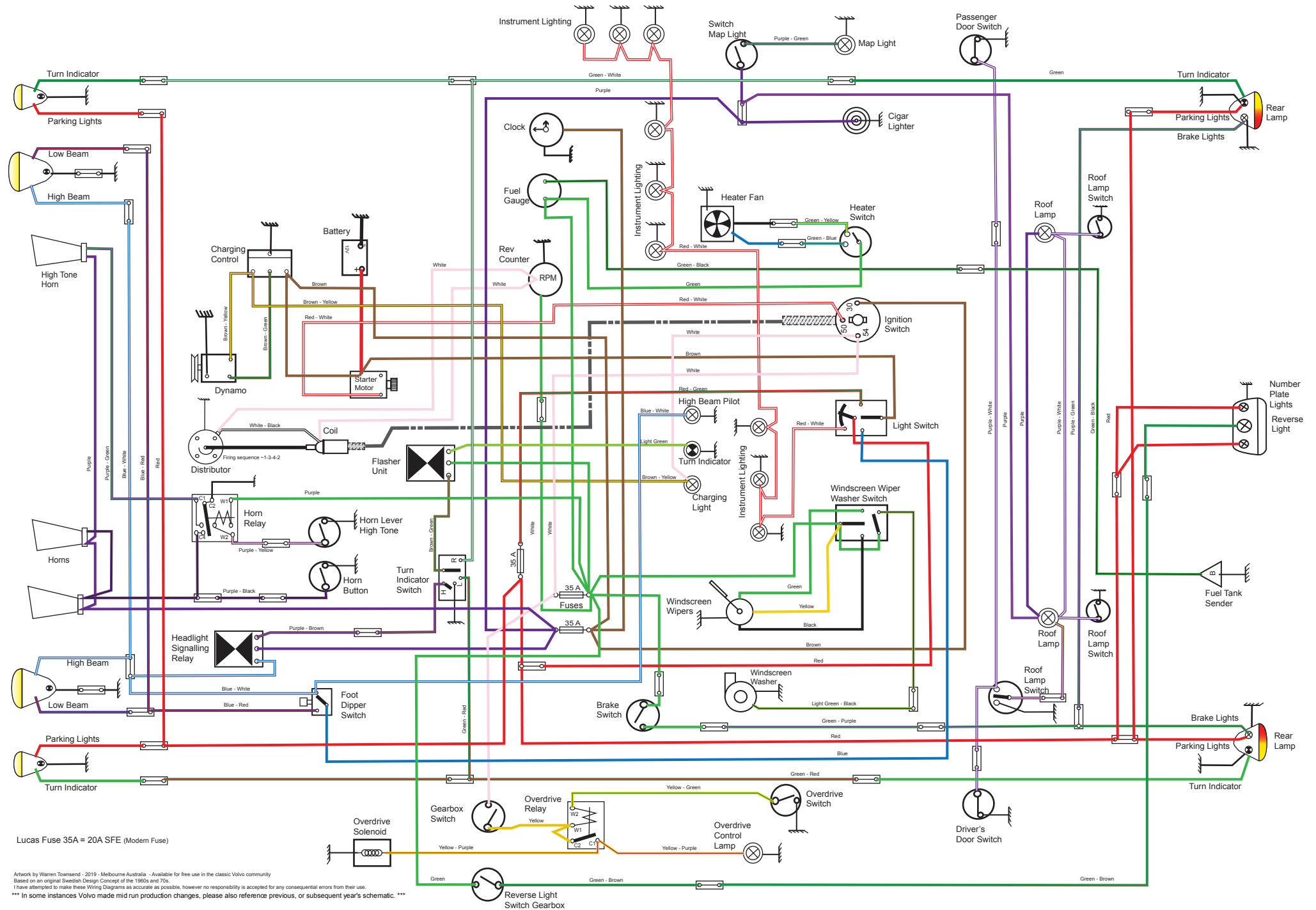


Volvo 1800S 1964 Wiring Diagram - (Chassis # 8001 to 12499)



Lucas Fuse 35A = 20A SFE (Modern Fuse)

Arwork by Warren Townsend - 2019 - Melbourne Australia - Available for free use in the classic Volvo community. Based on an original Swedish Design Concept of the 1960s and 70s. I have attempted to make these Wiring Diagrams as accurate as possible, however no responsibility is accepted for any consequential errors from their use. *** In some instances Volvo made mid run production changes, please also reference previous, or subsequent year's schematic. ***